

# NORGAS CONTROLS INC.

WGI 301 series ball valves combine quality performance at an affordable price. Each valve carries approvals that will cover most Valve applications. These valves are used in many different industries for a variety of applications.

## Features

### Full port

W.P. : 1/4"~1" - 2000 WOG(PN150)  
 1-1/4"~2" - 1500 WOG(PN100)  
 2-1/2"~4" - 1000 WOG(PN63)

### W.T. :

-40°C~200°C (-40°F~392°F)

### Investment casting

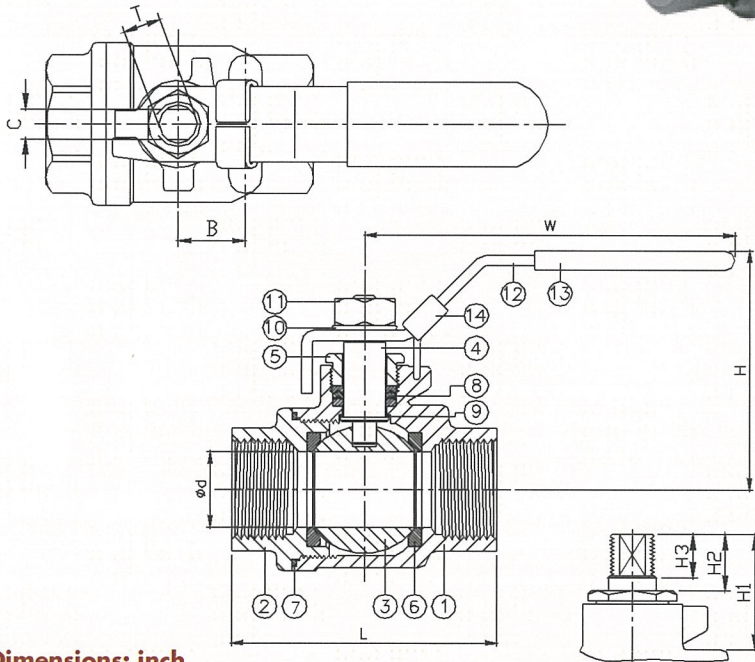
Blow-out proof stem

### Locking device

Tapped & drilled mounting pad



**Nace MR - 0175**  
 - CRN Approved  
 - CSA / CGA 3.16 B16.33



ITEM	PARTS	MATERIAL	
1	Body	ASTM A351-CF8M	ASTM A216-WCB
2	Cap		
3	Ball	ASTM A351-CF8M	
4	Stem	ASTM A276-316	
5	Gland Nut	AISI 304	
6	Seat	PTFE / RTFE	
7	Seal	PTFE	
8	Packing	PTFE / RTFE	
9	Thrust Washer	PTFE	
10	Spring Washer		
11	Nut	AISI 304	
12	Handle		
13	Handle Sleeve	PVC	
14	Locking Device	AISI 304	

### Dimensions: inch

NPS	D	L	H	W	B	C	H1	H2	H3	T	Weight (lb)
1/4"	0.46	2.38	1.97	4.02	0.55	0.2	1.28	0.49	0.41	5/16"W	0.6
3/8"	0.51	2.38	1.97	4.02	0.55	0.2	1.28	0.49	0.41	5/16"W	0.6
1/2"	0.59	2.52	1.97	4.02	0.55	0.2	1.28	0.49	0.41	5/16"W	0.7
3/4"	0.79	3.03	2.44	4.72	0.87	0.26	1.59	0.63	0.53	3/8"W	1.2
1"	0.98	3.54	2.97	6.26	0.87	0.31	1.97	0.71	0.61	7/16"W	1.9
1-1/4"	1.26	3.94	3.19	6.26	0.94	0.31	1.93	0.67	0.61	7/16"W	2.8
1-1/2"	1.5	4.65	3.86	7.4	0.94	0.35	2.36	0.75	0.69	1/2"W	4.4
2"	1.97	5.43	4.25	7.4	0.94	0.35	2.44	0.79	0.69	1/2"W	6.9
2-1/2"	2.56	6.56	5.35	9.65	1.38	0.47	3.11	1.22	1.2	3/4"W	13.2
3"	3.15	7.6	5.79	9.65	1.38	0.47	3.09	1.22	1.2	3/4"W	22.3
4"	3.94	10.24	7.2	12.6	1.97	0.63	3.9	2.09	1.65	1"W	-

Thread type :  
 ASME B1.20.1 (NPT)