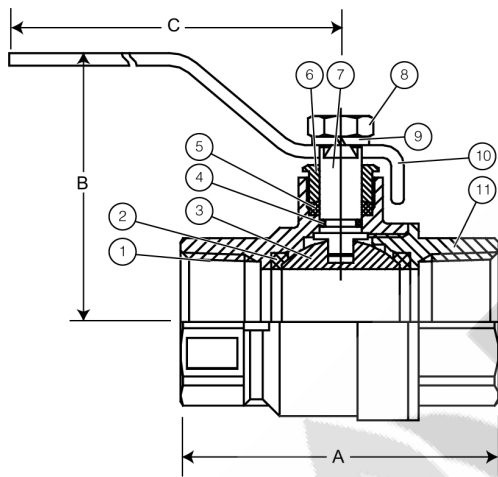


# Brass Ball Valve



## Dimensions in Inches

Valve Size	A	B	C
1/4"	1.73	1.67	3.35
3/8"	1.75	1.69	3.35
1/2"	2.28	1.81	3.35
3/4"	2.51	2.36	4.29
1"	2.97	2.52	4.29
1-1/4"	3.45	2.52	5.63
1-1/2"	3.87	2.72	5.63
2"	4.29	3.03	5.63
2-1/2"	5.51	4.25	7.76
3"	6.10	5.12	8.35
4"	7.80	5.71	9.29

## EFFN Series

### Description

1/4 turn lever handle operated, hot forged brass, economical ball valve. 100% full port. Blowout proof stem and 2-piece body design.

### Features

- Pressure rating: 600 WOG for 1/4" to 2 1/2" Ball Valves  
400 WOG for 3" & 4" Ball Valves
- 100% Full Port
- Gland follower and single O-ring stem design
- Teflon seats and stem packing
- ISO 9001 : 2008 Certified Manufacturer
- Available with locking device
- Temperature Range: (1/4" - 2") -40°F to 149°F (-40°C to 65°C)  
(2-1/2" - 4") -4°F to 149°F (-20°C to 65°C)

### Approvals

- CSA certified up to 125 PSIG (1/4" - 4")
- UL Listed (1/4" - 2")

## Material Specification

No.	Part Name	Materials
1	Body	Forged Brass ASTM C37700
2	Seat (2)	Teflon
3	Chrome Plated Ball	Forged Brass ASTM C37700
4	Stem O-Ring	Nitrile
5	Stem Packing	Teflon
6	Packing Nut	Forged Brass ASTM C37700
7	Stem	Forged Brass ASTM C37700
8	Handle Nut	Chrome Plated Steel
9	Lock Washer	Chrome Plated Steel
10	Handle	Chrome Plated Steel
11	End-Piece	Forged Brass ASTM C37700

