



MultiMag™



- Meets AWWA C708 Accuracy
- Hot or Cold meter models
- Pulse Output
- NSF61 and NSF372 approved
- Gallons or Cubic Meter Register

The MultiMag™ series water meters utilize multijet principles for accurate water measurement and are known for their simplicity, longevity and accuracy. The MultiMag™ is tested to the most recent AWWA C708 accuracy standards. The pulse output capability allows for the MultiMag™ to be used for remote reading. The MultiMag™ is intended for horizontal applications. In addition to the various sizes, the MultiMag™ is also available in hot and cold versions.

Technical Characteristics

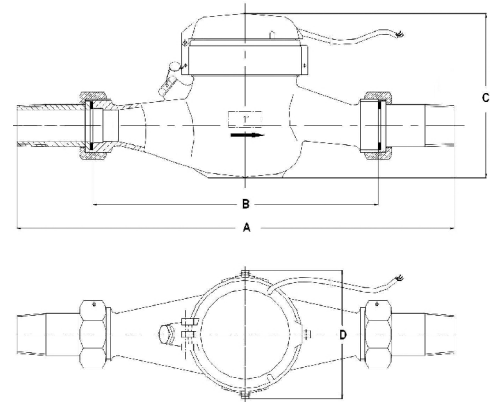
TEMPERATURECold.....105° F, 41° C
 Hot.....194° F, 90° C

MAX PRESSURE psi

MATERIALSBody.....ECO Brass - NO LEAD
 Internals.....Thermoplastic

PULSE OUTPUT6mA @ 12vdc

PULSE VALUE..... 1/1gal (1/1L) or 1/10gal (1/10L)



FLOW RATE - gpm / (m³/hr)					
	3/4" (19mm)	1" (25mm)	1-1/2" (38mm)	2" (50mm)	% Error
GPM					
MIN	0.5 (0.11)	0.75 (0.17)	1.5 (0.34)	2 (0.45)	3
MAX	30 (6.8)	50 (11.4)	100 (22.7)	160 (36)	1.5
CONTINUOUS	15 (3.4)	25 (5.7)	50 (11.4)	80 (18)	
RANGE	2-30 (0.45-6.8)	3-50 (0.68-11.4)	5-100 (11.1-22.7)	8-160 (1.18-36)	

DIMENSIONS - Inches / (mm)				
	3/4" (19mm)	1" (25mm)	1-1/2" (38mm)	2" (50mm)
A	11.5" (292)	15.6" (396)	17.8" (452)	21.0" (533)
B	7.5" (190.5)	10.75" (273)	12.625" (320)	15.25" (387)
C	5.3" (134.6)	5.3" (134.6)	6.8" (172.7)	6.8" (172.7)
D	3.9" (99)	3.9" (99)	4.8" (122)	4.8" (122)
Weight	4 lb. (1.8 kg)	5 lb. (2.3 kg)	10 lb. (4.5 kg)	14 lb. (6.4 kg)